

## Busbar Connector

Busbar connector system is manufactured from silicone rubber, mainly applied to the connection for SF6 insulated switchgear with metal housing. The connecting interface conforms to type C in En50180, EN 50181.

Screened busbar up to 40.5kV, 1250A

### Features:

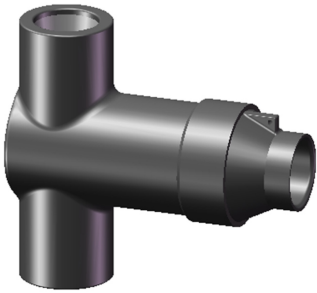
The available busbar lengths are 550 mm, 600 mm, 700 mm and 800mm

Quick and easy assembly

Screening by outer conductive layer

Integrated stress control system

Note: Unscreened products for busbar connector system are available.



**End-adapter**  
Part No. WEB-35C/DJ

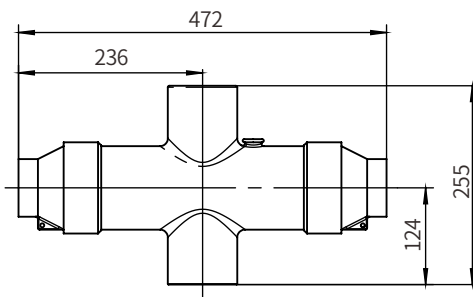
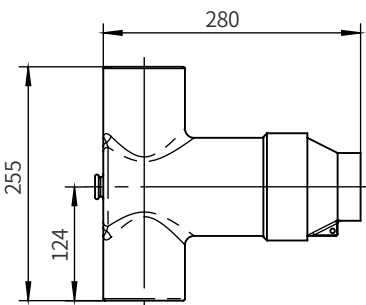


**Cross-adapter**  
Part No. WEB-35C/SJ



**Busbar**  
Part No. WEB-35C/M-\*L

\*Length according to application



Dimension: mm

### Technical Data

Item	Busbar Connector and Kits
Voltage Class	40.5kV
Rated Current	1250A
AC Withstand Voltage	95kV for 1min
Partial Discharge	45kV, $\leq 10\text{pC}$
Impulse Withstand Voltage (10 times for each polarity)	200kV
Screen Resistance	$\leq 5000\Omega$