

Busbar Connector

Busbar connector system is manufactured from silicone rubber, mainly applied to the connection for SF6 insulated switchgear with metal housing. To mate with the bushing interfaces conform to type C in EN50180, EN 50181 .

Screened busbar up to 24kV, 1250A

Features:

Variable busbar length from 300-700mm available

Quick and easy assembly

Screening by outer conductive layer

Integrated stress control system

Note: Unscreened products for busbar connector system are available.



End-adapter
Part No. WEB-15/DJ2
WEB-24/DJ2

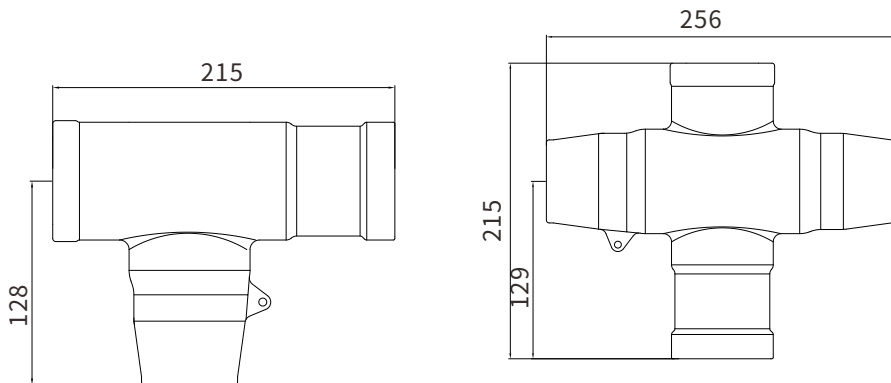


Cross-adapter
Part No. WEB-15/SJ2
WEB-24/SJ2



Busbar
Part No. WEB-15/M2-*L
WEB-24/M2-*L

*Length according to application



Dimension: mm

Technical Data

Item	Busbar Connector and Kits	
Voltage Class	17.5kV	24kV
Rated Current	630A,1250A	630A,1250A
AC Withstand Voltage	48kV for 1min	65kV for 1min
Partial Discharge	15kV, ≤10pC	20kV, ≤10pC
Impulse Withstand Voltage (10 times for each polarity)	95kV	125kV
Screen Resistance	≤5000Ω	≤5000Ω