

## 630A Apparatus Bushing

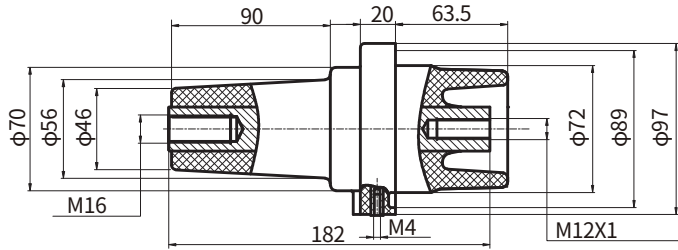
### Features

- Manufactured from high quality epoxy resin
- Meeting requirements of EN 50180 & EN 50181 type C
- 100% factory tested
- In compliance with GB/T 4109 (IEC60137 6.0)

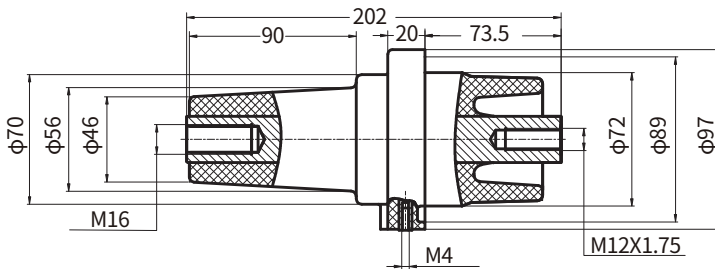
### Design



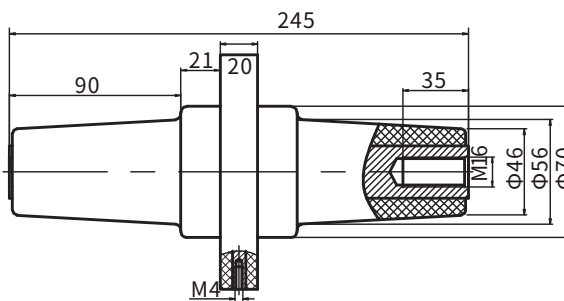
Apparatus Bushing in SF6  
Part No. WECTG-CQ/182



Apparatus Bushing in SF6  
Part No. WECTG-CQ/202



Feed-thru Apparatus Bushing  
Part No. WECTG-ST



Dimension: mm

### Technical Data

Voltage Class	12kV	24kV
Continuous Current	630A	630A
AC Withstand Voltage	42kV for 1min	65kV for 1min
Partial Discharge	13.2kV, 10pC	26.4kV, 10pC
Impulse Withstand Voltage (10 times for each polarity)	75kV	125kV