

25kV 200A Loadbreak Series

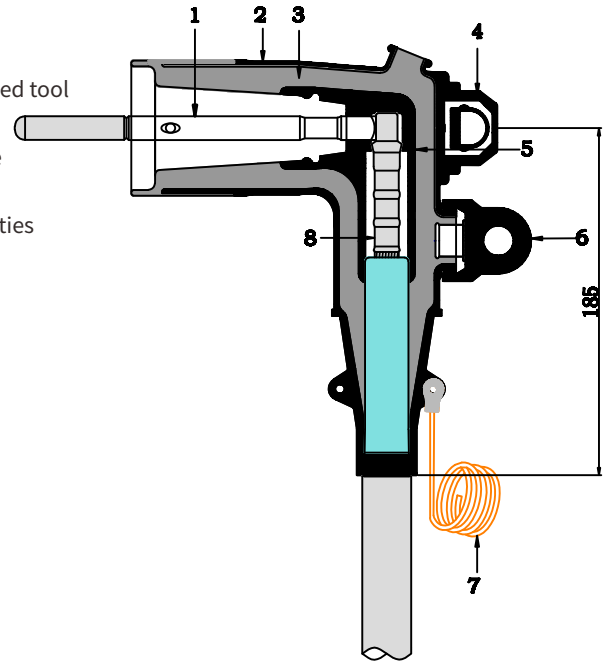
25kV Loadbreak Elbow Connector WAZT 25/200

Features

- Manufactured from high quality EPDM rubber
- Fully screened
- In compliance with IEEE 386, Figure 7
- 100% factory tested

Design

1. Probe
Tinned copper probe to thread into the conductor lug with the supplied tool
2. External Screen
Moulded conductive EPDM rubber to ensure the connector touchable
3. Insulation
Moulded insulated EPDM rubber to ensure excellent electrical properties
4. Pulling eye
Provide a detent to position the stainless bail assembly
5. Internal Screen
Moulded conductive EPDM rubber to control electrical stress
6. Voltage test point
Provide means to check circuit status
7. Earthing Wire
To earth the external screen for the connector
8. Conductor Lug
To connect the cable conductor and probe



Dimension: mm

Technical Data

Rated Voltage (U_0/U)	15.2/26.3kV
Continuous Current	200A
AC Withstand Voltage	40kV for 1min
Partial Discharge	19kV, ≤ 3 pC
Impulse Withstand Voltage (10 times for each polarity)	125kV
Switching Current	26.3kV, 200A, 10 times
Screen Resistance	$\leq 5000\Omega$

Ordering instruction

The ordering formula as followed:

	1	2	3	4
WAZT				

Step 1

Choose the system voltage and current: 25/200

Step 2

Select the range from Table D that fits the diameter over cable insulation

Step 3

Select the conductor code from Table C for the conductor size and type

Step 4

Select the package. 1: 1pc/kit; 3: 3pcs/kit.

Table D

Diameter over cable insulation

Insulation Range Code	Diameter over cable insulation ϕ (mm)	
	Min.	Max.
A	16	21
B	18	24
C	22	28
D	25	32

Table C

Conductor Code

Conductor Cross-section(mm ²)	Copper Lug (Hexagonal compression)	Bimetallic Lug (Hexagonal compression)
25	01C	01B
35	02C	02B
50	03C	03B
70	04C	04B
95	05C	05B
120	06C	06B

Ordering example:

Ordering example:

The cable is 25kV, 3-core 95mm² copper conductor with core insulation diameter of 24mm. Order [WAZT 25/200C05C3](#).

Note:

Sealing or solderless grounding kits shall be ordered separately.

Please add "-X" for cable with copper wire shield without armour, like WAZT 25/200C05C3-X.

Feel free to contact us for detailed information.