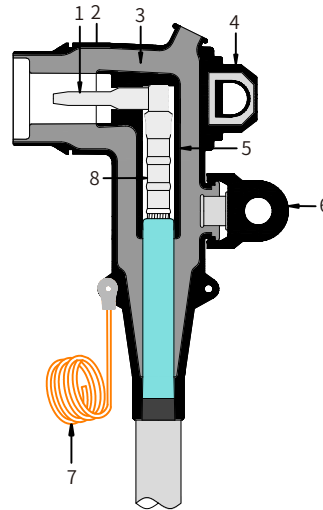


WEZT 24/250 250A Plug-in Type Elbow Connector

Design

- | | |
|--|--|
| <p>1. Probe
Tinned copper probe to thread into the conductor lug with the supplied tool</p> <p>2. External Screen
Moulded conductive EPDM rubber to ensure the connector touchable</p> <p>3. Insulation
Moulded insulated EPDM rubber to ensure excellent electrical properties</p> <p>4. Pulling eye
Provide a detent to position the stainless bail assembly</p> | <p>5. Internal Screen
Moulded conductive EPDM rubber to control electrical stress</p> <p>6. Voltage test point
Provide means to check circuit status</p> <p>7. Earthing Wire
To earth the external screen for the connector</p> <p>8. Conductor Lug
To connect the cable conductor and probe</p> |
|--|--|



Up to 24kV
6/10(12) kV
6.35/11(12) kV
8.7/15(17.5) kV
12/20(24) kV
12.7/22(24) kV

Technical Data

Voltage Class	12kV	17.5kV	24kV
Continuous Current	250A	250A	250A
AC Withstand Voltage	28.5kV for 5min	39kV for 5min	54kV for 5min
Partial Discharge	11kV, ≤10pC	15kV, ≤10pC	20kV, ≤10pC
Impulse Withstand Voltage (10 times for each polarity)	95kV	95kV	125kV
Screen Resistance	≤5000Ω	≤5000Ω	≤5000Ω

Ordering instruction

The ordering formula as followed:

	1	2	3	4
WEZT				

Step 1

Choose the system voltage and current: 24/250

Step 2

Select the range from Table D that fits the diameter over cable insulation

Step 3

Select the conductor code from Table C for the conductor size and type

Step 4

Select the package. 1: 1pc/kit; 3: 3pcs/kit.

Ordering example:

The cable is 24kV, 3-core 95mm² copper conductor with cable insulation diameter of 22mm. Order **WEZT 24/250C05C3**.

Note:

Sealing or solderless grounding kits shall be ordered separately.

Please add "-X" for cable with copper wire shield without armour, like WEZT 24/250C05C3-X.

Feel free to contact us for detailed information.

Table D

Diameter over cable insulation

Insulation Range Code	Diameter over cable insulation φ (mm)	
	Min.	Max.
A	16	18
B	17	21
C	20	24
D	23.5	27

Table C

Conductor Code

Conductor Cross-section (mm ²)	Copper Lug (Hexagonal compression)	Bimetallic Lug (Hexagonal compression)
25	01C	01B
35	02C	02B
50	03C	03B
70	04C	04B
95	05C	05B
120	06C	06B